

**GKG**

# **G-Star**

*Above & beyond your expectations*



## PERFORMANCE

Machine Alignment Capability	2Cmk @ ±12.5 microns 6 sigma
Process Alignment Capability	2Cpk @ ±25 microns 6 sigma
Core Cycle Time (excluding printing & cleaning time)	< 8.5 secs
Product Changeover Time	< 3 mins
New Product Set-up Time	< 10 mins

## BOARD HANDLING

Max. Size (L x W)	400 mm x 340 mm
Min. Size (L x W)	50 mm x 50 mm
Thickness	0.4~6 mm
PCB Thickness Adjustment	Manual (Auto is option. PCB max. width reduced to 310 mm)
PCB max. weight	3 kg
PCB edge clearance	3 mm
PCB Bottom Clearance	15 mm (7 mm with optional auto PCB thickness adjustment)
PCB Warpage	Max. 1% diagonally
Clamping Method	Top clamp (manual) and motorized side clamp
Support Method	Magnetic support pins, bars, blocks, Vacuum suction
Conveyor Direction	L to R, R to L, R to R, L to L (software control)
Conveyor Height	900 ± 40 mm
Conveyor Speed (max.)	1,500 mm/s
Conveyor Width Adjustment	Automatic

## OPERATOR INTERFACE

Hardware	LCD Monitor, Mouse & Keyboard
Operating System (OS)	Windows 7 or Higher
Control Method	Industrial PC controlled
I/O Interface	SMEMA Standard

## OPTIONS

Paste Rolling Diameter Monitoring System
Stencil Apertures Inspection System
Auto Table Adjustment for PCB Thickness
SPI Closed-loop
External Barcode Scanner for PCB Traceability
Handheld Barcode Scanner for stencil, solder paste, squeegee traceability

## PRINTING PARAMETERS

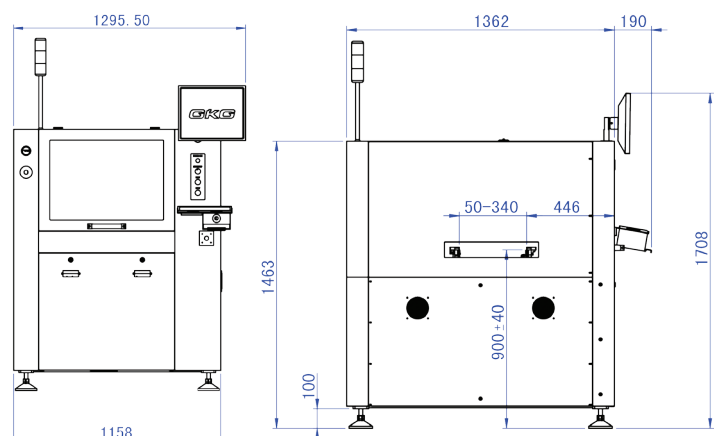
Stencil Frame Size (L x W)	Adjustable, 470 mm x 370 mm to 737 mm x 737 mm
Print Gap (snap-off)	0~20 mm
Printing Table Adjustment Range	X: ±3 mm, Y: ±7 mm θ: ± 2°
Print Speed	6~200 mm/s
Squeegee Pressure	0.5~10kg (program control)
Squeegee Type	Std.: Metal, Option: OPC, rubber
Squeegee Angle	Std. 60°, Option 45°, 50°, 55°
Cleaning System	Auto wet, dry, vacuum (software select)

## OPTICAL SYSTEM

Field-of-View (FOV)	8 mm x 6 mm
Fiducial Types	Circle, triangle, square, diamond, cross
Fiducial size	0.5~3.0 mm
Vision Methodology	CCD camera look up & down
2D inspection	Max. 100 windows to inspect missing & insufficient (std.)

## FACILITIES REQUIREMENT

Power supply	AC220V ± 10% 50/60Hz
Power Consumption	2.5kW
Air Supply	4 ~ 6Kgf/cm <sup>2</sup>
Dimension (excluding signal tower)	1,158 mm (L) x 1,362 mm (W) x 1,463 mm (H)
Machine Weight	1,000kg



# GKG

**GKG ASIA PTE LTD**

Global Marketing & Training Centre  
 Service & Spare Parts Support Centre  
 52 Ubi Avenue 3, #02-38 Frontier, Singapore 408867  
 Tel: +65 6547 8065 | Fax: +65 6547 5451  
 www.gkgasia.com

**GKG PRECISION MACHINE CO., LTD.**

Manufacturing - R&D Centre  
 No. 2 Shalang Road, Dong Cheng District Dongguan City  
 Guangdong Province China  
 Tel: +86 769 2276 7281, 3882 3222  
 Fax: +86 769 3882 0799  
 www.gkg.cn



©GKG, all rights reserved.

\*GKG reserves the right to make any changes concerning design or specification of the machine without any prior notice for continuous improvement. (G-Star Version 1.0 - 2017.07)